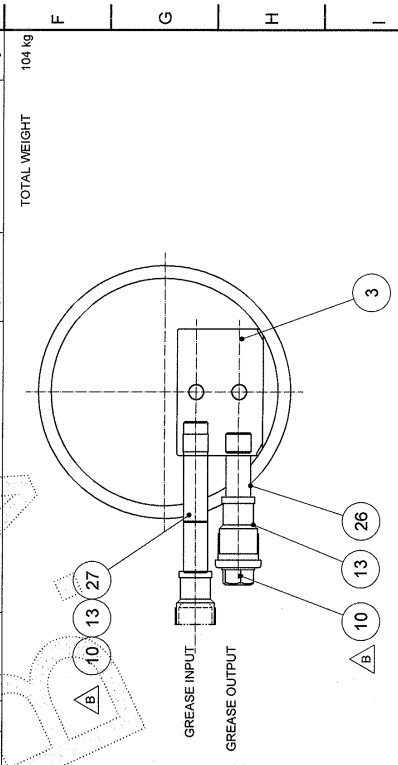


ITEM	QTY	DRAWING	DESCRIPTION	PARTS/REFERENCE LIST	MATERIAL	STANDARD/REM.	MASS
1	1		CYLINDRICAL PIN Ø3x10		St.	DIN 7	0
2	1		CYLINDRICAL ROLLER BEARING NU 2216 ECP		SKF		2
3	2		HEX SOCKET PLUG M10x1		St.	DIN 906	0
4	4		HEX SOCKET COUNTERS. SCREW M12x25		DIN 991		0
5	6		HEX. SOCKET HEAD CAP SCREW M12x50		A4-70	DIN 912	0
6	12		HEX. SOCKET HEAD CAP SCREW M16x60		12.9	DIN 912; DACROMET OR DELTA PROTEKT COATING	2
7	12		HOLE PLUG Ø35		PLASTIC	FABORY ART.NR. 56792	0
8	1		LOCK NUT KM14		St.	SKF	0
9	1		LOCK PLATE MB14		St.	SKF	0
10	2		SCREW PLUG G1/4"		St.	DIN 910	0
11	2		SEAL TYPE GR100x130x12		NBR	ERIKS	0
12	12		SET "NORD-LOCK" WASHERS NL16 FOR M16		St.	DELTA PROTEKT COATING	0
13	2		2PCS. GLUED TOGETHER AS SET				
14	1		SOCKET PIPE REDUCER G1/4 - G1/8 (IN/IN)		AISI 316		0
15	6		SPHERICAL ROLLER BEARING 22217-E			SKF	3
16	1		SPRING WASHER M12		A4	DIN 7980	0
17	1		Ø340 L=242		C35N		70
18	1		Ø100 L=310		42CrMo4V		13
19	1		Ø100/Ø81 L=86.5		S355J2		2
20	1		Ø149/Ø130 L=86.5		S355J2		3
21	1		Ø100/Ø85 L=35		S355J2		1
22	1		Ø200/Ø112 L=44		C35		1
23	1		Ø150/Ø85 L=14		C35		5
24	1		PLATE, 12 mm, Ø157		S235LR		2
25	1		Ø130/Ø118 L=5		C35		0
26	1		Ø67/Ø71 L=10		S235LR		0
27	2		PIPE Ø 10x2.5, L=40		AISI 304		0
27	2		PIPE Ø 10x2.5, L=60		AISI 304		0



TYP. DETAIL APPLICATION "NORD-LOCK" WASHERS

REV	DESCRIPTION	REVISION HISTORY	DATE	APPROVED
B	EVYRA ITEM		28.7.2010	HY

Project POLANIEC POWER ST.: GYPSUM SILO 14.000m³
 Subject AUGER FRAME; BEARING AUGERS COL. SIDE; ASSEMBLY

ESI Eurosilos B.V.
 Engineers & Contractors

P.O. Box 1047 - 1540 BA Purmerend, nl
 Telephone: +31 (0)394 650270 E-mail: esi@eurosilos.com
 Telefax: +31 (0)394 650271 Webpage: www.eurosilos.com

scale: 1 : 1
 checked date: 14.2.2008
 checked by: M. de Graaf
 drawn: MacGraith
 checked by: M. de Graaf
 sheet: R11019-1760-100 1/1
 total sheets: 1/1

It may neither be copied nor reproduced in any form without the permission of the company.